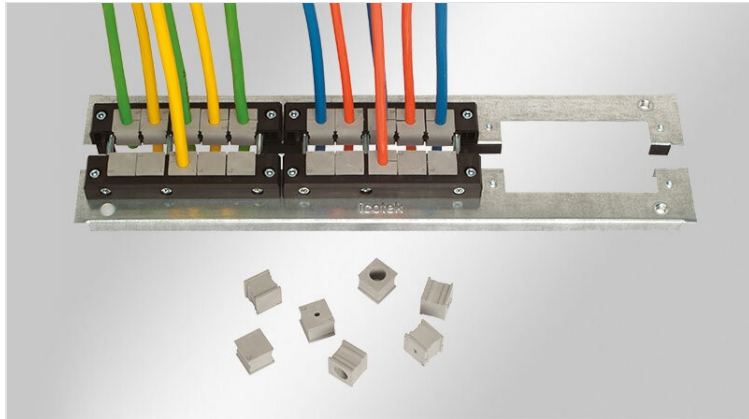


KDR 2 split gland plates

for Rittal TS 8 & Rittal VX25 enclosures / IP54



IP54

RoHS
compliant

REACH
COMPLIANCE

Made in
Germany

Split, 2-part gland plates KDR 2 with pre-cut holes for centrally split [KEL](#) and [KEL-JUMBO cable entry systems](#).

Integrated screw holes provide quick and easy installation of KEL frames.

During assembly, almost the complete base of the enclosure can be used for installation of cables. Retrofitting is possible without disconnecting of cables. All can be installed around the cables.

The gland plate KDR 2 is designed for Rittal enclosures TS 8 & VX25. Other sizes can be supplied on request

Specifications

IP rating (EN 60529)	IP54
Material	Steel, zinc plated

Advantages & benefits

- During assembly, almost the complete base of the enclosure can be used for installation of cables
- Even large connectors can be installed easily
- Subsequent assembly possible
- No additional sheet metal work required
- Cut-outs, which are no longer required, are covered with metal blank plates Type BPM

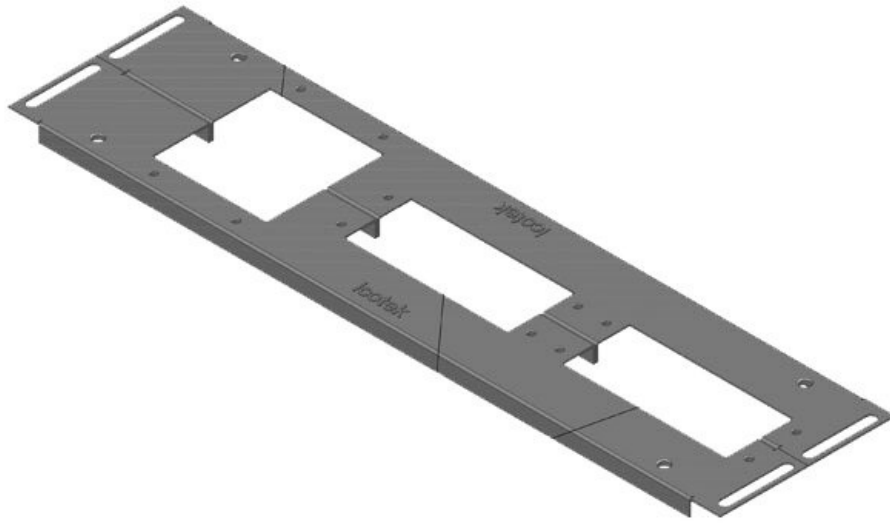
Product types & sizes

KDR2-VX25-600-44400



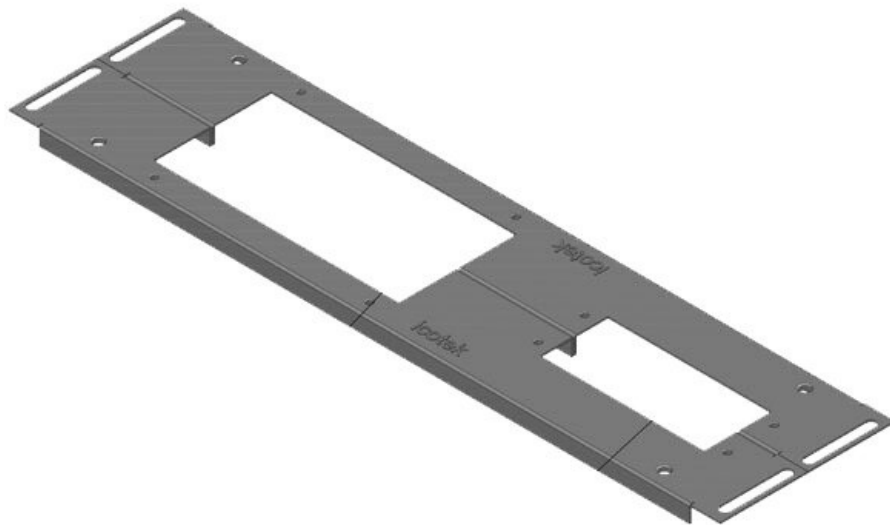
Part No.	44400	For enclosure	600 mm
EAN	4251269320	width	
	262	Sight size of	452 mm
Package	1	base opening	
quantity		Suitable for	3 × KEL 24
Length	488 mm	cable entry	
Width	100 mm	systems:	
Height	12 mm	Suitable for	Rittal VX25
Total length	488 mm	enclosure	
gland plate			

KDR2-VX25-600-44401



Part No.	44401	For enclosure width	600 mm
EAN	4251269320	Sight size of base opening	452 mm
Package quantity	1	Suitable for cable entry systems:	2 × KEL 24, 1 × KEL-JUMBO
Length	488 mm		1
Width	120 mm	Suitable for enclosure	Rittal VX25
Height	12 mm		
Total length gland plate	488 mm		

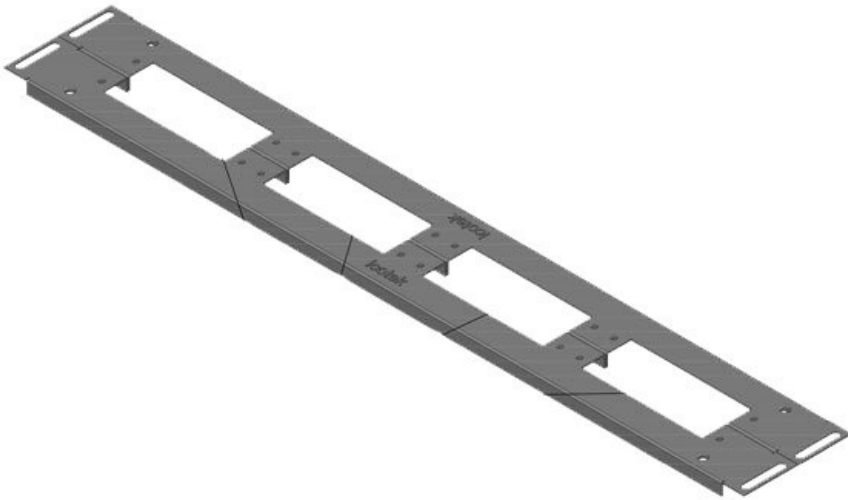
KDR2-VX25-600-44402



Part No.	44402	For enclosure width	600 mm
EAN	4251269320	Sight size of base opening	452 mm
Package quantity	1	Suitable for cable entry systems:	1 × KEL 24, 1 × KEL-JUMBO
Length	488 mm		2
Width	120 mm	Suitable for enclosure	Rittal VX25
Height	12 mm		
Total length gland plate	488 mm		

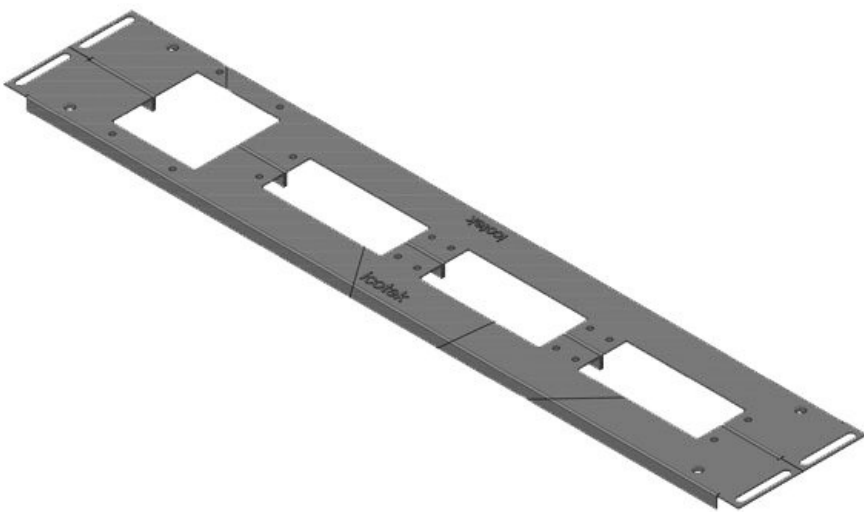
KDR2-VX25-600-44403

Part No.	44403	For enclosure	800 mm
EAN	4251269320	width	
	293	Sight size of	652 mm
Package	1	base opening	
quantity		Suitable for	4 × KEL 24
Length	688 mm	cable entry	
Width	100 mm	systems:	
Height	12 mm	Suitable for	Rittal VX25
Total length	688 mm	enclosure	
gland plate			

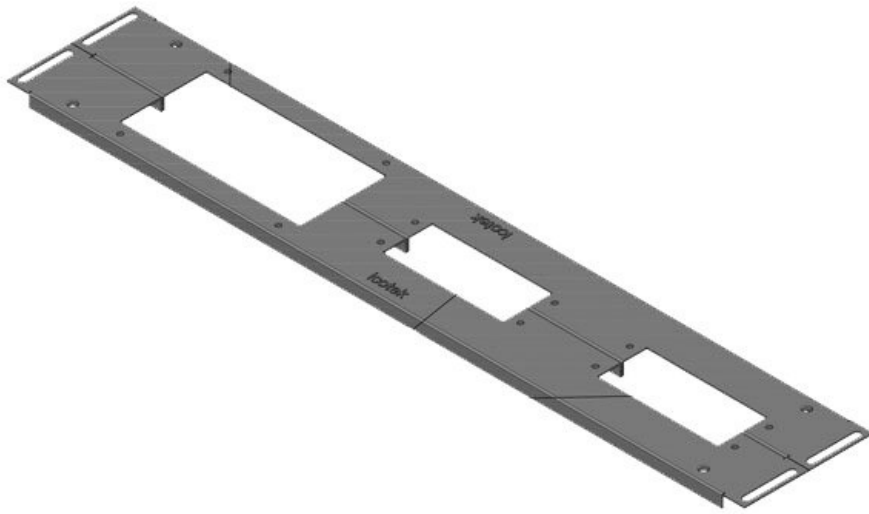


KDR2-VX25-600-44404

Part No.	44404	For enclosure	800 mm
EAN	4251269320	width	
	309	Sight size of	652 mm
Package	1	base opening	
quantity		Suitable for	3 × KEL 24, 1
Length	688 mm	cable entry	× KEL-JUMBO
Width	120 mm	systems:	1
Height	12 mm	Suitable for	Rittal VX25
Total length	688 mm	enclosure	
gland plate			



KDR2-VX25-600-44405



Part No.	44405	For enclosure width	800 mm
EAN	4251269320	Sight size of base opening	652 mm
Package quantity	1	Suitable for cable entry systems:	2 × KEL 24, 1 × KEL-JUMBO
Length	688 mm		2
Width	120 mm	Suitable for enclosure	Rittal VX25
Height	12 mm		
Total length gland plate	688 mm		

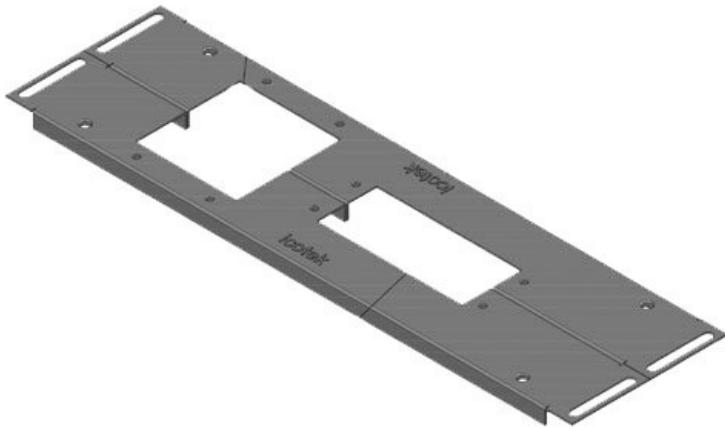
KDR2-VX25-1000-44406



Part No.	44406	For enclosure width	1.000 mm
EAN	4251269320	Sight size of base opening	402 mm
Package quantity	1	Division bar	yes
Length	438 mm	Suitable for cable entry systems:	2 × KEL 24
Width	100 mm		
Height	12 mm	Suitable for enclosure	Rittal VX25
Total length gland plate	438 mm		

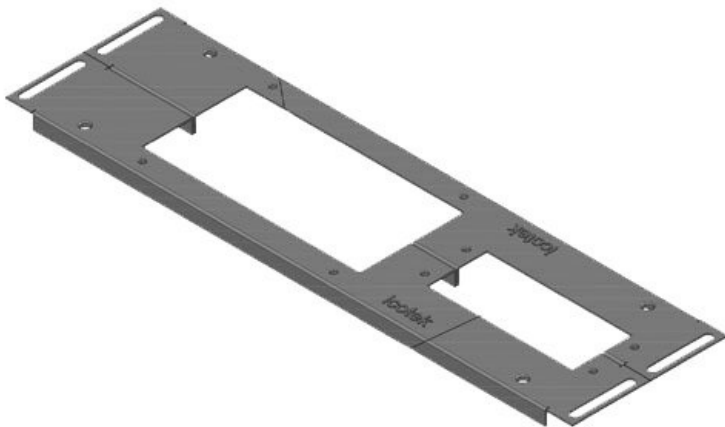
KDR2-VX25-1000-44407

Part No.	44407	For enclosure	1.000 mm
EAN	4251269320	width	
	330	Sight size of	402 mm
Package	1	base opening	
quantity		Division bar	yes
Length	438 mm	Suitable for	1 × KEL 24, 1
Width	120 mm	cable entry	× KEL-JUMBO
Height	12 mm	systems:	1
Total length	438 mm	Suitable for	Rittal VX25
gland plate		enclosure	

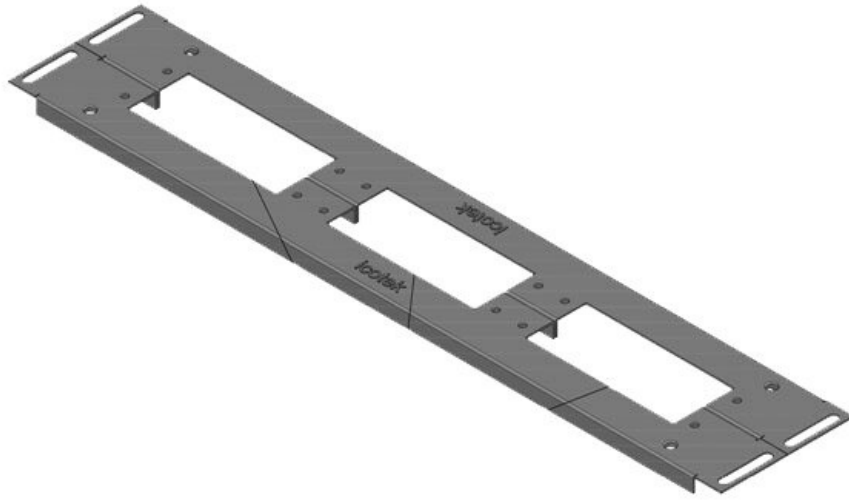


KDR2-VX25-1000-44408

Part No.	44408	For enclosure	1.000 mm
EAN	4251269320	width	
	347	Sight size of	402 mm
Package	1	base opening	
quantity		Division bar	yes
Length	438 mm	Suitable for	1 × KEL 24, 1
Width	120 mm	cable entry	× KEL-JUMBO
Height	12 mm	systems:	2
Total length	438 mm	Suitable for	Rittal VX25
gland plate		enclosure	

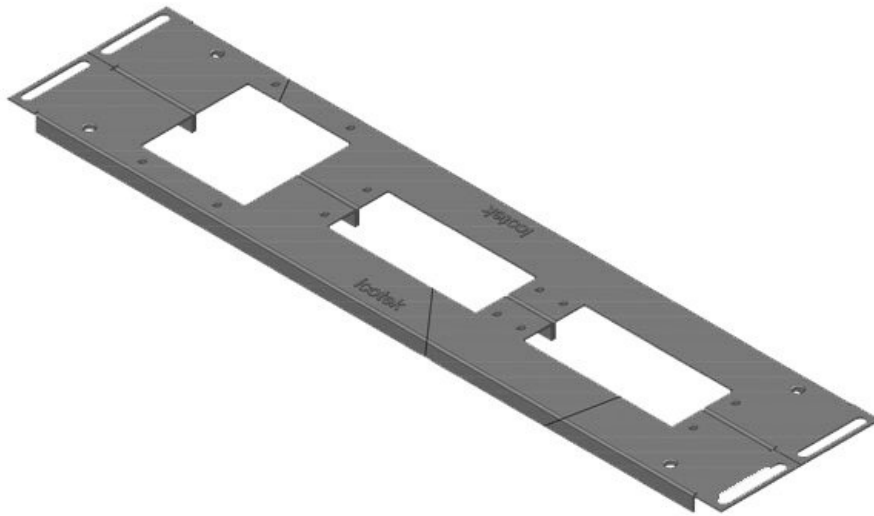


KDR2-VX25-1200-44409



Part No.	44409	For enclosure width	1.200 mm
EAN	4251269320	Sight size of base opening	502 mm
Package quantity	1	Suitable for cable entry systems:	3 × KEL 24
Length	538 mm	Suitable for enclosure	Rittal VX25
Width	100 mm		
Height	12 mm		
Total length gland plate	538 mm		

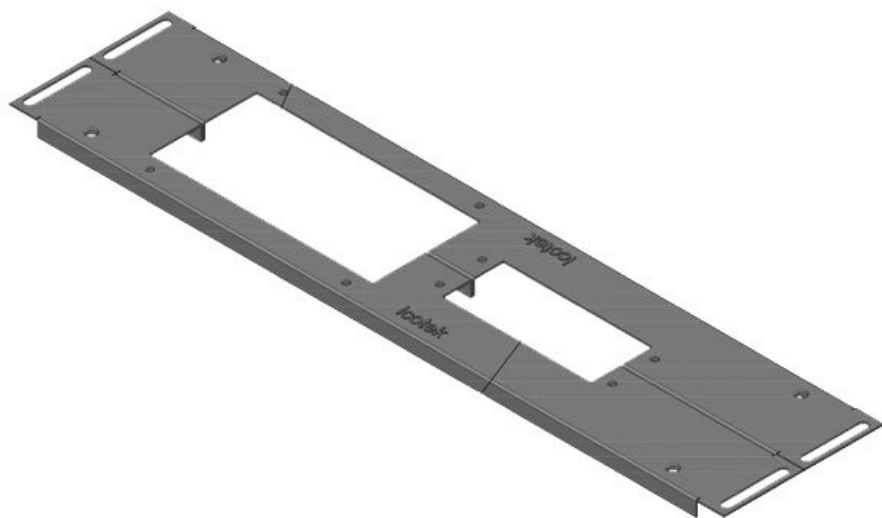
KDR2-VX25-1200-44410



Part No.	44410	For enclosure width	1.200 mm
EAN	4251269320	Sight size of base opening	502 mm
Package quantity	1	Suitable for cable entry systems:	2 × KEL 24, 1 × KEL-JUMBO
Length	538 mm	Suitable for enclosure	1
Width	120 mm		
Height	12 mm		
Total length gland plate	538 mm		

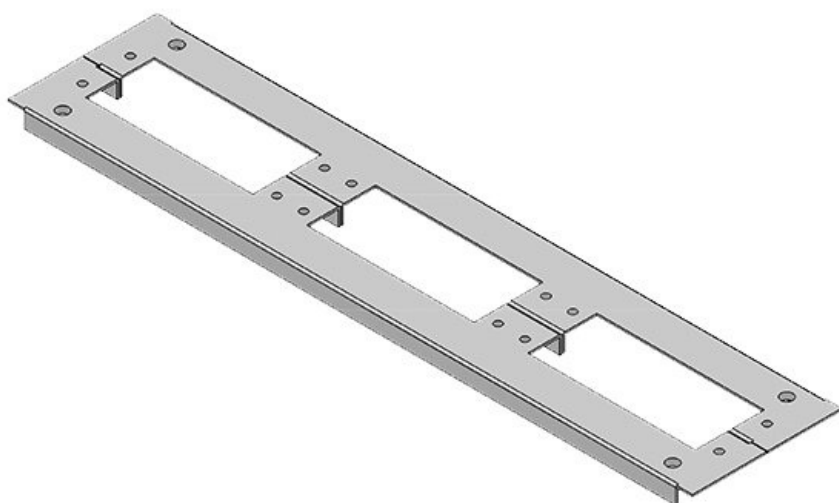
KDR2-VX25-1200-44411

Part No.	44411	For enclosure	1.200 mm
EAN	4251269320	width	
	378	Sight size of	502 mm
Package	1	base opening	
quantity		Suitable for	1 × KEL 24, 1
Length	538 mm	cable entry	× KEL-JUMBO
Width	120 mm	systems:	2
Height	12 mm	Suitable for	Rittal VX25
Total length	538 mm	enclosure	
gland plate			

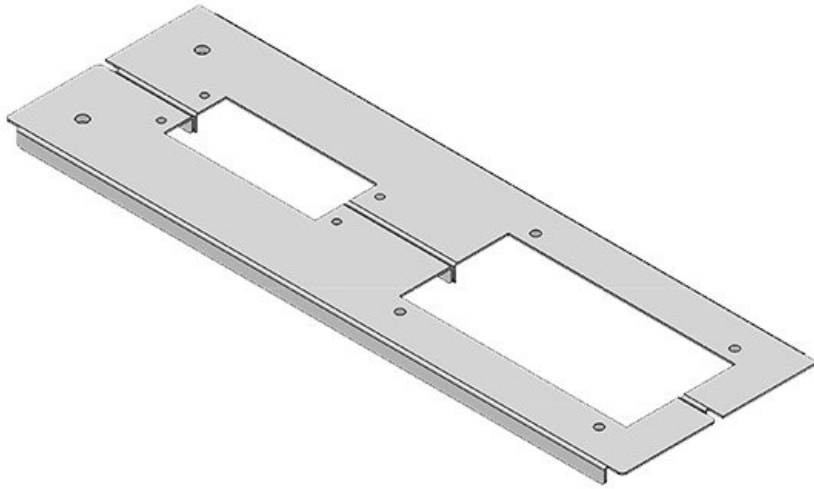


KDR2-TS8-600-42924

Part No.	42924	For enclosure	600 mm
EAN	4251269309	width	
	397	Sight size of	435 mm
Package	1	base opening	
quantity		Suitable for	3 × KEL 24
Length	458 mm	cable entry	
Width	100 mm	systems:	
Height	12 mm	Suitable for	Rittal TS 8
Total length	458 mm	enclosure	
gland plate			

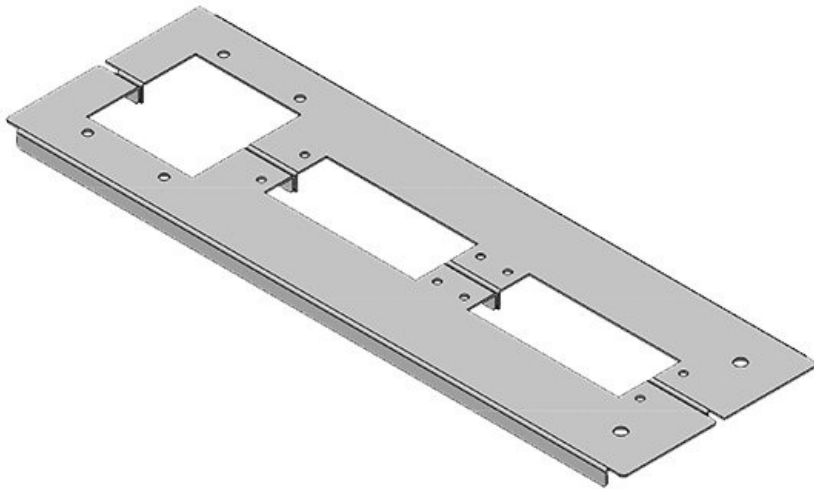


KDR2-TS8-600-42941



Part No.	42941	For enclosure	600 mm
EAN	4251269309	width	
	403	Sight size of	435 mm
Package	1	base opening	
quantity		Suitable for	1 × KEL 24, 1
Length	458 mm	cable entry	× KEL-JUMBO
Width	148,5 mm	systems:	2
Height	12 mm	Suitable for	Rittal TS 8
Total length	458 mm	enclosure	
gland plate			

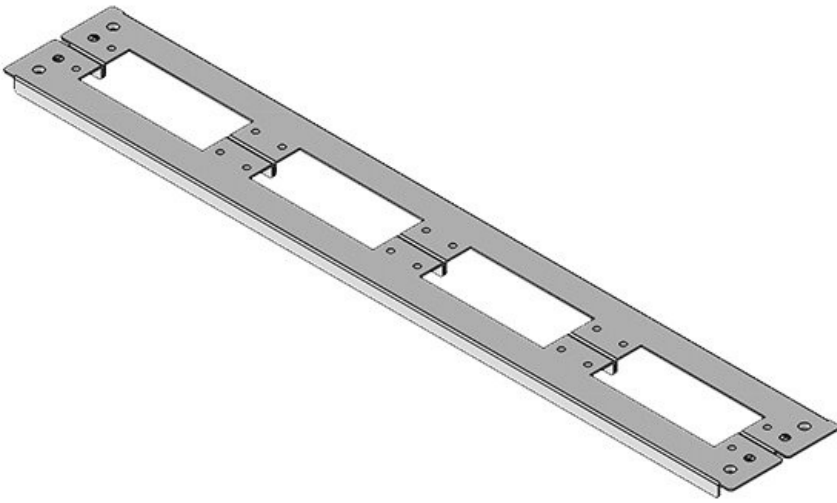
KDR2-TS8-600-42953



Part No.	42953	For enclosure	600 mm
EAN	4251269309	width	
	441	Sight size of	435 mm
Package	1	base opening	
quantity		Suitable for	2 × KEL 24, 1
Length	458 mm	cable entry	× KEL-JUMBO
Width	148,5 mm	systems:	1
Height	12 mm	Suitable for	Rittal TS 8
Total length	458 mm	enclosure	
gland plate			

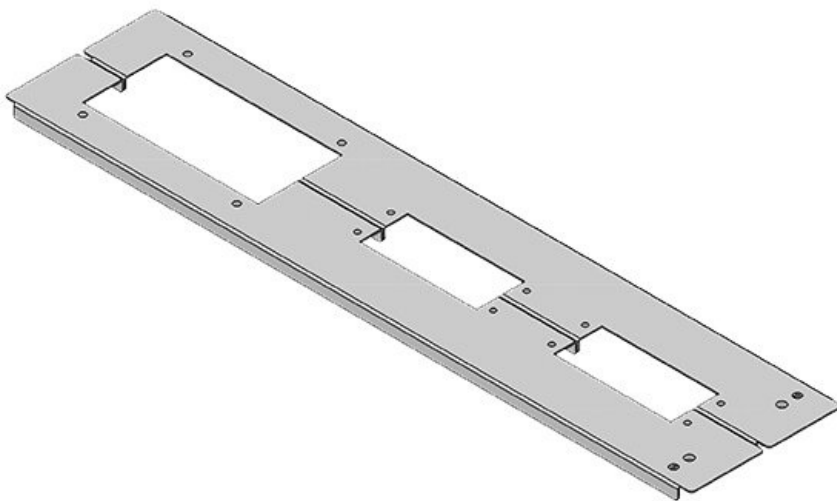
KDR2-TS8-800-42922

Part No.	42922	For enclosure	800 mm
EAN	4251269309	width	
	373	Sight size of	635 mm
Package	1	base opening	
quantity		Suitable for	4 × KEL 24
Length	658 mm	cable entry	
Width	100 mm	systems:	
Height	12 mm	Suitable for	Rittal TS 8
Total length	658 mm	enclosure	
gland plate			

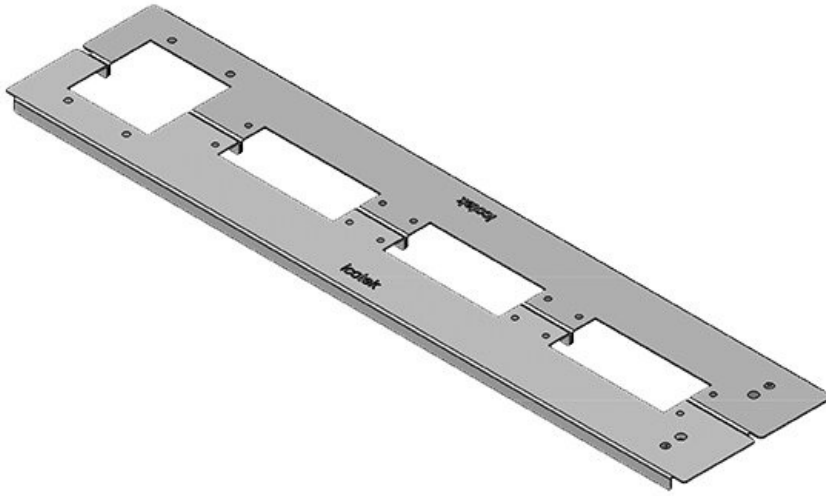


KDR2-TS8-800-42945

Part No.	42945	For enclosure	800 mm
EAN	4251269309	width	
	427	Sight size of	635 mm
Package	1	base opening	
quantity		Suitable for	2 × KEL 24, 1
Length	658 mm	cable entry	× KEL-JUMBO
Width	148,5 mm	systems:	2
Height	12 mm	Suitable for	Rittal TS 8
Total length	658 mm	enclosure	
gland plate			

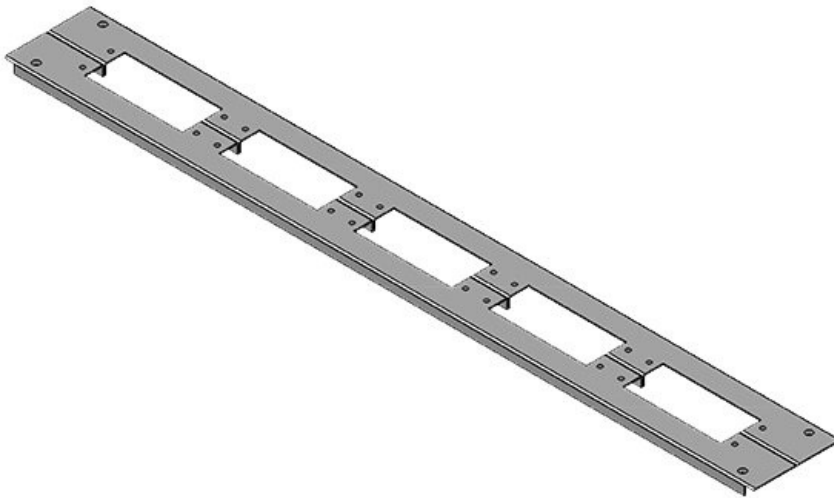


KDR2-TS8-800-42954



Part No.	42954	For enclosure width	800 mm
EAN	4251269309	Sight size of base opening	635 mm
Package quantity	1	Suitable for cable entry systems:	3 × KEL 24, 1 × KEL-JUMBO
Length	658 mm		1
Width	148,5 mm	Suitable for enclosure	Rittal TS 8
Height	12 mm		
Total length gland plate	658 mm		

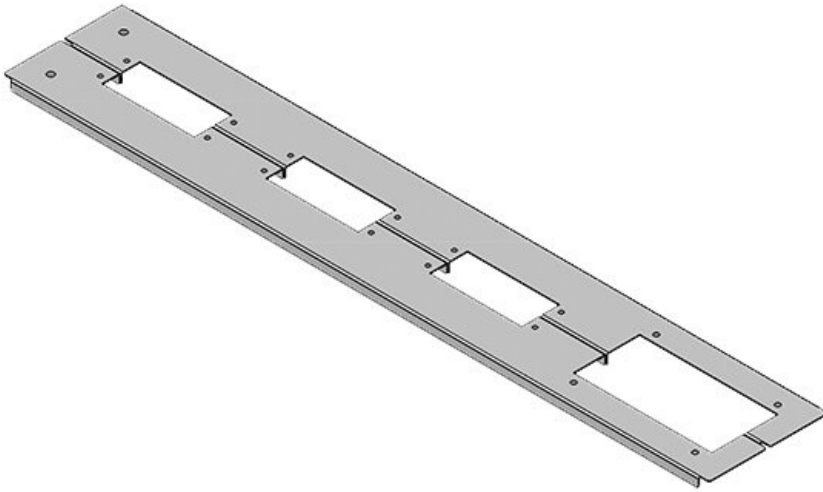
KDR2-TS8-1000-42923



Part No.	42923	For enclosure width	1.000 mm
EAN	4251269309	Sight size of base opening	835 mm
Package quantity	1	Division bar	no
Length	858 mm	Suitable for cable entry systems:	5 × KEL 24
Width	100 mm		
Height	12 mm	Suitable for enclosure	Rittal TS 8
Total length gland plate	858 mm		

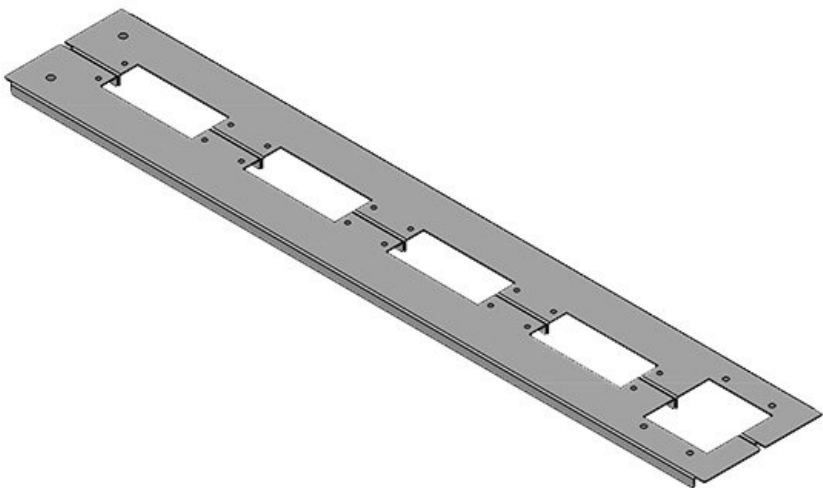
KDR2-TS8-1000-42952

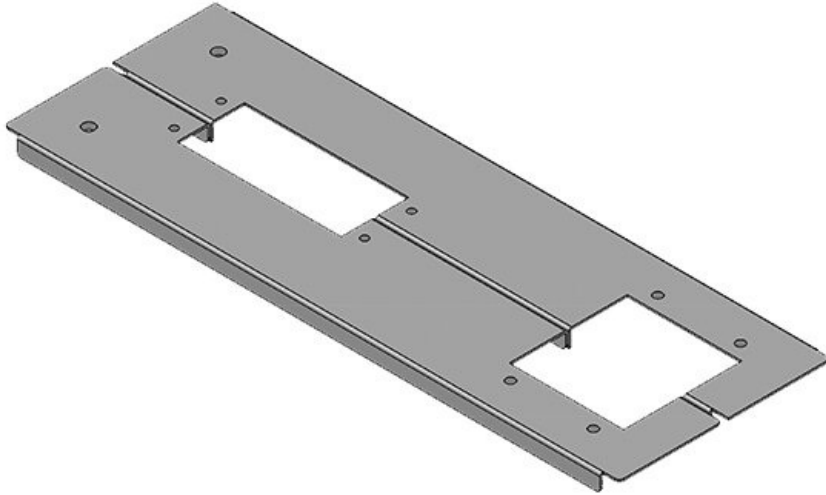
Part No.	42952	For enclosure	1.000 mm
EAN	4251269309	width	
	434	Sight size of	835 mm
Package	1	base opening	
quantity		Division bar	no
Length	858 mm	Suitable for	3 × KEL 24, 1
Width	148,5 mm	cable entry	× KEL-JUMBO
Height	12 mm	systems:	2
Total length	858 mm	Suitable for	Rittal TS 8
gland plate		enclosure	



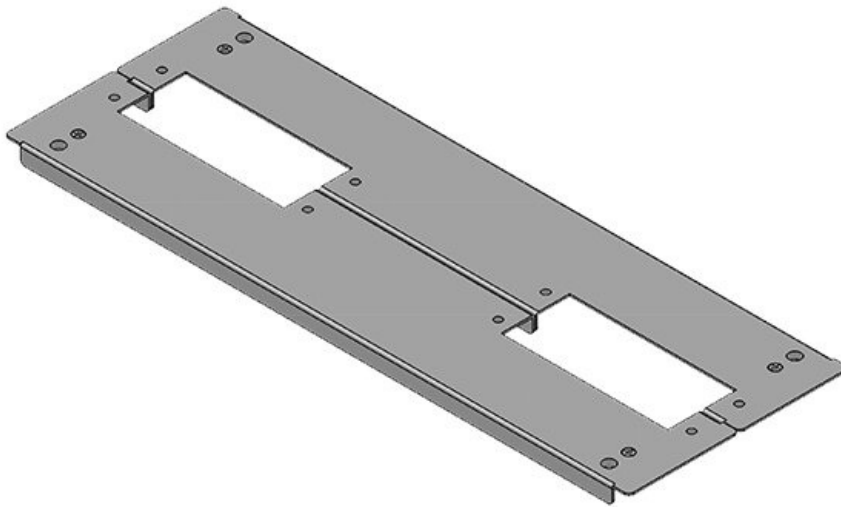
KDR2-TS8-1000-42955

Part No.	42955	For enclosure	1.000 mm
EAN	4251269309	width	
	465	Sight size of	835 mm
Package	1	base opening	
quantity		Division bar	no
Length	858 mm	Suitable for	4 × KEL 24, 1
Width	148,5 mm	cable entry	× KEL-JUMBO
Height	12 mm	systems:	1
Total length	858 mm	Suitable for	Rittal TS 8
gland plate		enclosure	





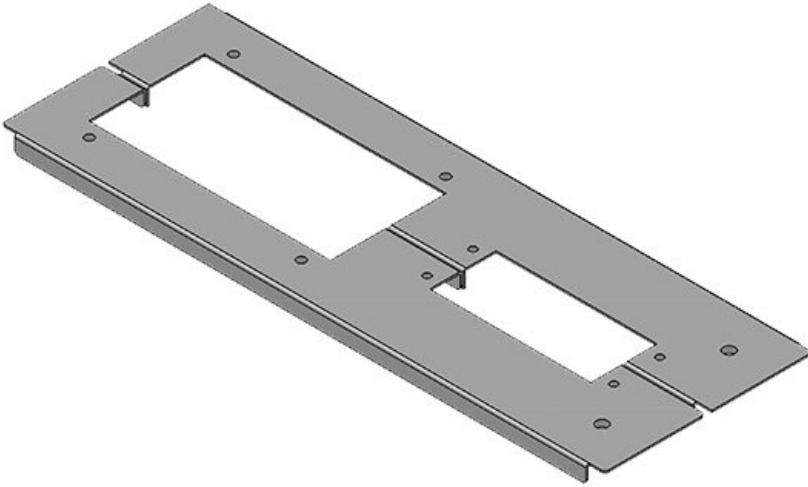
Part No.	42957	For enclosure width	1.000 mm
EAN	4251269309489	Sight size of base opening	398 mm
Package quantity	1	Division bar	yes
Length	420 mm	Suitable for cable entry systems:	1
Width	148,5 mm	Suitable for enclosure	Rittal TS 8
Height	12 mm		
Total length gland plate	420 mm		



Part No.	42958	For enclosure width	1.000 mm
EAN	4251269309496	Sight size of base opening	398 mm
Package quantity	1	Division bar	yes
Length	420 mm	Suitable for cable entry systems:	2 × KEL 24
Width	148,5 mm	Suitable for enclosure	Rittal TS 8
Height	12 mm		
Total length gland plate	420 mm		

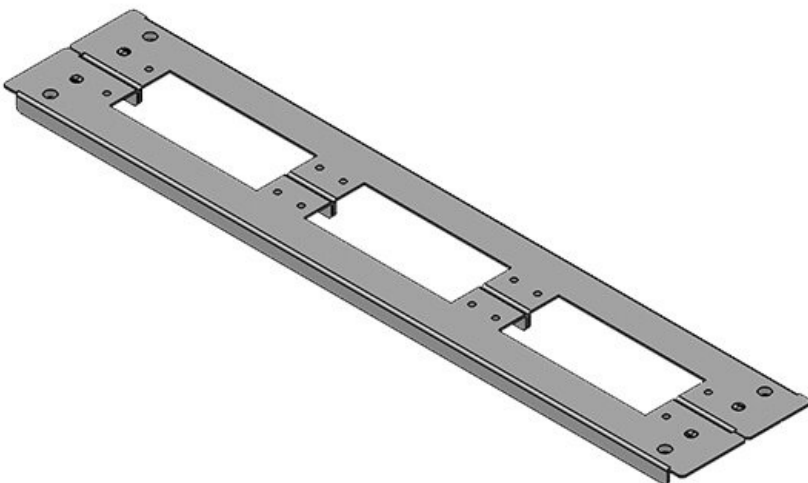
KDR2-TS8-1000-42959

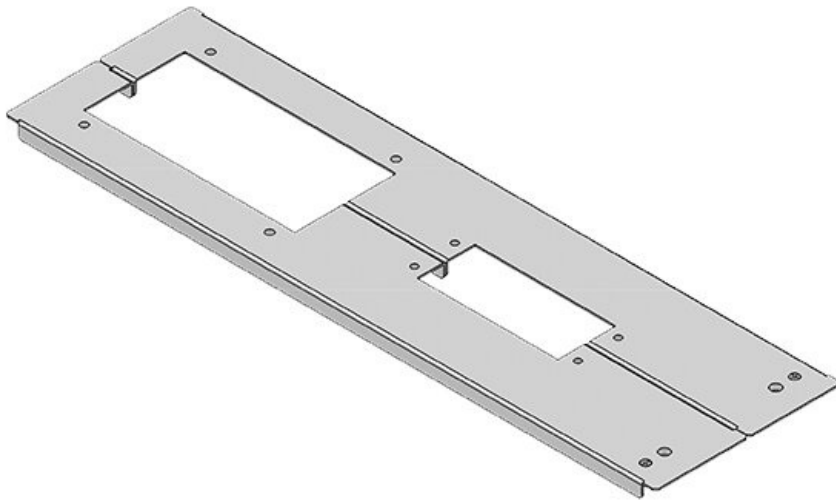
Part No.	42959	For enclosure	1.000 mm
EAN	4251269309	width	
	502	Sight size of	398 mm
Package	1	base opening	
quantity		Division bar	yes
Length	420 mm	Suitable for	1 × KEL 24, 1
Width	148,5 mm	cable entry	× KEL-JUMBO
Height	12 mm	systems:	2
Total length	420 mm	Suitable for	Rittal TS 8
gland plate		enclosure	



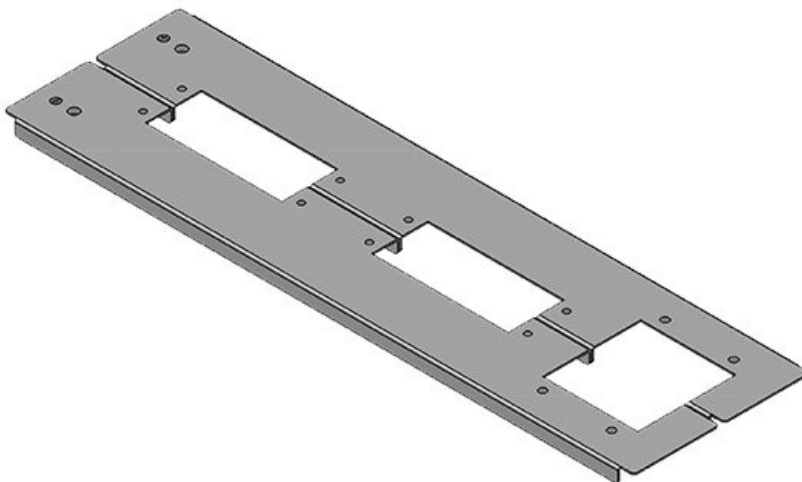
KDR2-TS8-1200-42920

Part No.	42920	For enclosure	1.200 mm
EAN	4251269309	width	
	366	Sight size of	495 mm
Package	1	base opening	
quantity		Suitable for	3 × KEL 24
Length	518 mm	cable entry	
Width	100 mm	systems:	
Height	12 mm	Suitable for	Rittal TS 8
Total length	518 mm	enclosure	
gland plate			





Part No.	42943	For enclosure width	1.200 mm
EAN	4251269309	Sight size of base opening	495 mm
Package quantity	1	Suitable for cable entry systems:	1 × KEL 24, 1 × KEL-JUMBO
Length	518 mm		2
Width	148,5 mm	Suitable for enclosure	Rittal TS 8
Height	12 mm		
Total length gland plate	518 mm		



Part No.	42956	For enclosure width	1.200 mm
EAN	4251269309	Sight size of base opening	495 mm
Package quantity	1	Suitable for cable entry systems:	2 × KEL 24, 1 × KEL-JUMBO
Length	518 mm		1
Width	148,5 mm	Suitable for enclosure	Rittal TS 8
Height	12 mm		
Total length gland plate	518 mm		